

# 6 Tonne Power Swivel - ROPS+

## KEY FEATURES & BENEFITS - MACH2262



The Thwaites 6 Tonne Power Swivel, Stage V Hydrostatic dumper is manufactured with contractors and hirers in mind – ensuring operator safety, reducing risk on site and improving performance. The Power Swivel skip enables a 90° rotation left and right, allowing the machine easier access to tip loads in restricted areas, giving the operator greater control and reducing risk on site.

Powered by a 3.3L Yanmar turbo diesel engine fitted with a DPF to comply with EU stage V emission regulations, you benefit from 53.7 kW peak power, 295 Nm of torque and no AdBlue requirement.

Thwaites 6 Tonne machines are available in a range of configurations to suit your needs including:

- › 6 Tonne Power Swivel with Cab
- › 6 Tonne Front Tip with Cab
- › 6 Tonne Front Tip - ROPS+

A Spring Activated Hydraulic Release (SAHR) Handbrake, 5" screen displaying 150° around machine visibility, hi-vis steps, LED road lights, amber LED beacon and Inclinometer are all fitted as standard. Optional extras include a green LED beacon and GPS speedometer.

ROPS+ is an extension of the Roll Over Protection System, (ROPS). Made from the same high tensile steel, the warp around design places the operator in the optimum position to minimise risk, should a machine roll over occur.

**Safe, compliant and competitive.**



Snap this QR code from your smart phone for more information



# Thwaites

Thwaites Ltd. Leamington Spa,  
Warwickshire, CV32 7NQ. England  
Tel +44 (0)1926 422471

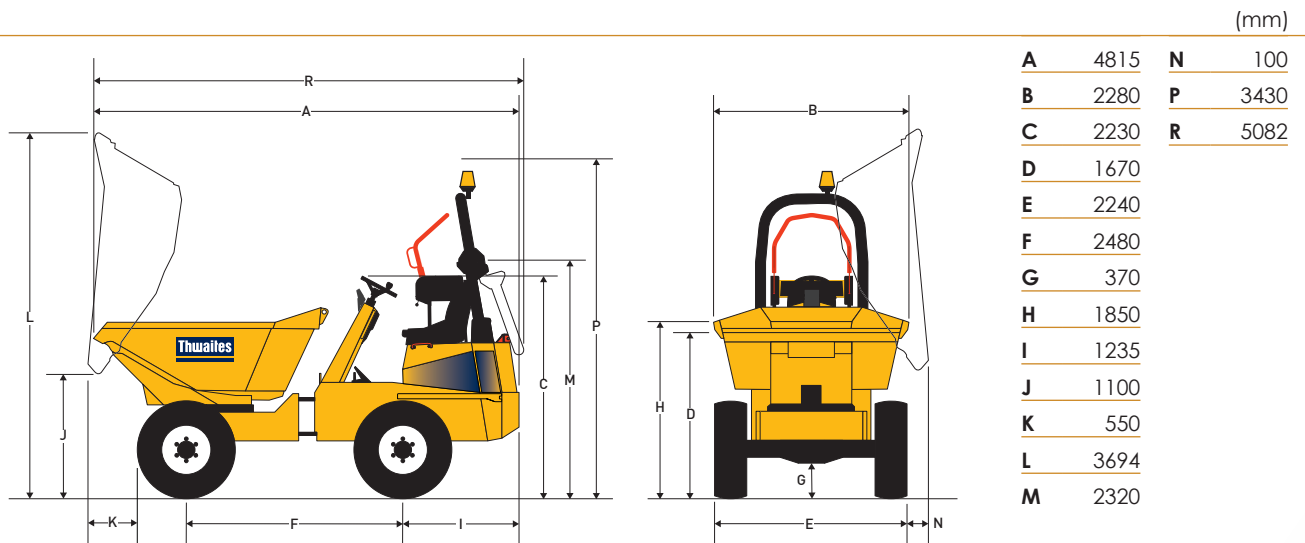
[www.thwaitesdumpers.co.uk](http://www.thwaitesdumpers.co.uk)



## GET THE JOB DONE.

# 6 Tonne Power Swivel - ROPS+

## DIMENSIONS & SPECIFICATIONS - MACH2262



Weight	Unladen	4240 kg
	Shipping	4116 kg

Capacities	Max safe load	6000 kg
	Heaped	3150 litres
	Struck	2550 litres
	Water	1650 litres

### Engine

- > Yanmar 4TNV98CT, water-cooled, 4-cylinder, fuel injected turbo diesel with after treatment Diesel Particulate filter
- > Power 53.7kW / 72 bhp at 2100 rpm
- > Torque 295Nm (217.5 lbs ft)

### Noise Levels

- > Operator's ear 84 LpA / airborne level 102 LwA

### Transmission

- > Hydrostatic with high/low speed range, column mounted directional control lever and inching facility.

Speeds	Forward and Reverse		
	1	6.1 km/h	(3.7 mph)
	2	25.0 km/h	(15.5 mph)

Tyres	405/70 - 20
	Load/Speed Index - 142 A8

### Brakes and Axles

- > Totally enclosed multiplate oil-immersed discs mounted on both axles & auto wear adjustment
- > Hand operated parking brake (SAHR)

### Kinglink Chassis

- > Constructed from folded steel plate, with three point Kinglink giving articulation and oscillation for better stability, traction and safety on site

### Skip

- > Hydraulically operated, 8 mm steel base plate
- > Skip mouth & sides reinforced with box sections
- > Power Swivel skip enables a 180° rotation

### Seating & Controls

- > Adjustable suspension seat with high-vis seat belt
- > Clear operators display unit contains all warning lamps

### Service Access

- > Lockable engine cover for ground level service points
- > Rear chassis panel can be hinged back on retainers

### Electrics

- > Fuse & relay are housed on a central power distribution board
- > Main harness is fully enclosed in solid conduit and incorporates the engine diagnostic port

### Steering and Hydraulics

- > Hydraulic power steering
- > Return line filtration for all services
- > Hydraulic test point fitted as standard

Tank Capacities	Fuel	72 litres
	Hydraulic	50 litres

Turning Circle	12m
----------------	-----

### Standard Equipment

- > Full LED road lighting incl. DRL (Daylight Running Lights)
- > Front and Rear Cameras, monitor
- > Inclinometer
- > Reverse alarm
- > LED beacon, fan guard
- > ROPS+

### Optional Equipment

- > Road mirrors
- > Wheel nut indicator
- > GPS speedometer
- > Heated seat

# Thwaites

Thwaites Ltd, Leamington Spa,  
Warwickshire, CV32 7NQ, England  
Tel +44 (0)1926 422471

[www.thwaitesdumpers.co.uk](http://www.thwaitesdumpers.co.uk)



Images are representative, but specific details or equipment may vary by country. We reserve the right to change any and all specifications without prior notice. 02/2025