

SLANETRAC

Slanetrac Engineering Ltd, Dean Hill, Hayes, Navan, Co. Meath, Ireland

Phone: +353469024858

Email: info@slanetrac.ie



SLANETRAC



www.slanetrac.ie

Find us on:    

Built To Last...

HT 1000c

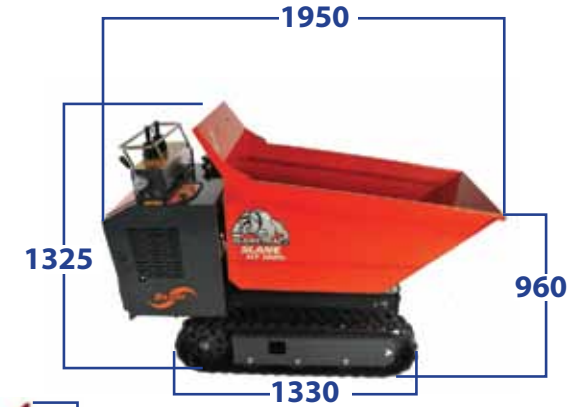
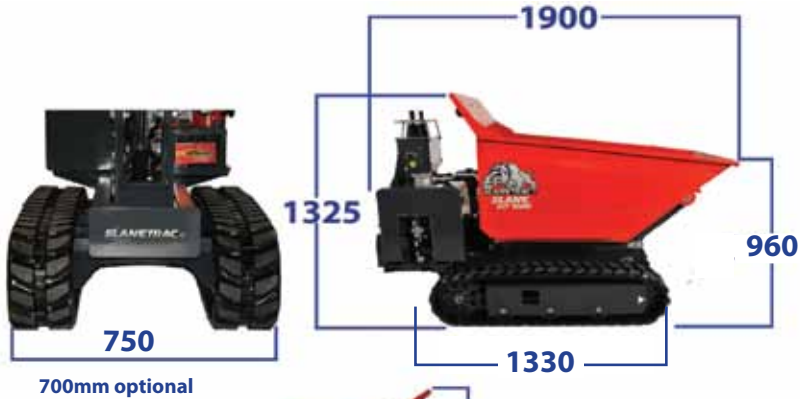
SLANETRAC

HT 1000s

SLANETRAC

Gasoline Track Dumpers

Diesel Track Dumpers



Specification

- Engine: Honda GX390
- Power: 13hp (10.4kw)
- Starting: Electric
- Hydraulic Drive
- Fuel Tank: 5.5 ltr
- Hydraulic Oil Tank: 30 ltr
- Load Capacity: 1 ton
- Unladen Weight: 670kg
- Contact Pressure: 0.25kg/cm²
- Speed: 4.5 km/h
- Gradability: 36% – 50%

Specification

- Engine: Kohler KDW702
- Power: 16.5 hp
- 2 Cylinder Water Cooled Engine
- Starting: Electric
- Hydraulic Drive
- Low on Emissions & Low on Noise
- Automatic Engine Roll Over Cut Out
- Operating Pressure: 2440 psi (170 bar)
- Max Pump Flow: 36 ltr/min
- Fuel Tank: 6.0 ltr
- Unladen Weight: 770kg
- Contact Pressure: 0.30kg/cm²

1 TON LOAD CAPACITY

2 YEAR WARRANTY